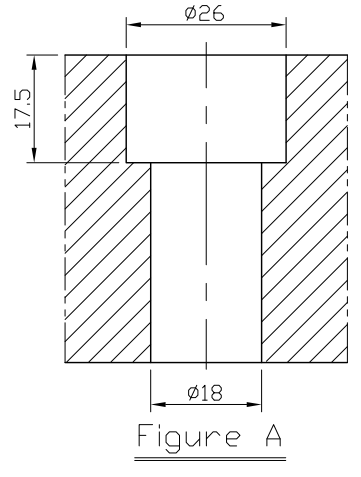
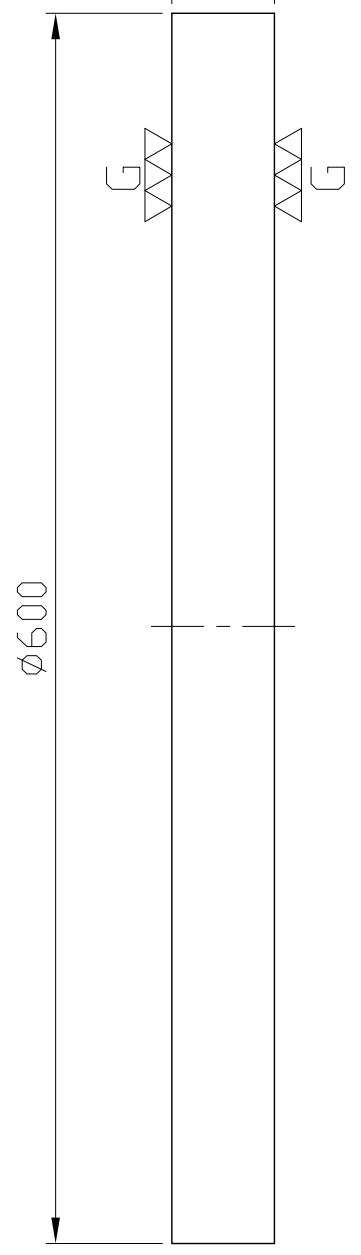


//	0.02/300
▧	0.02/300



\*Edge chamfered C2

NW:95KG

Material FC300		Heat treatment Annealing Process			Surface treatment			
Drafted by S.C.H	Checked by	Approved by		Scale 1/1	Date 2011.10.19	Sheet 1/1	Edition A	
			TITLE ROUND BASE PLATE					
			DWG.ND. BP16-50-0600					